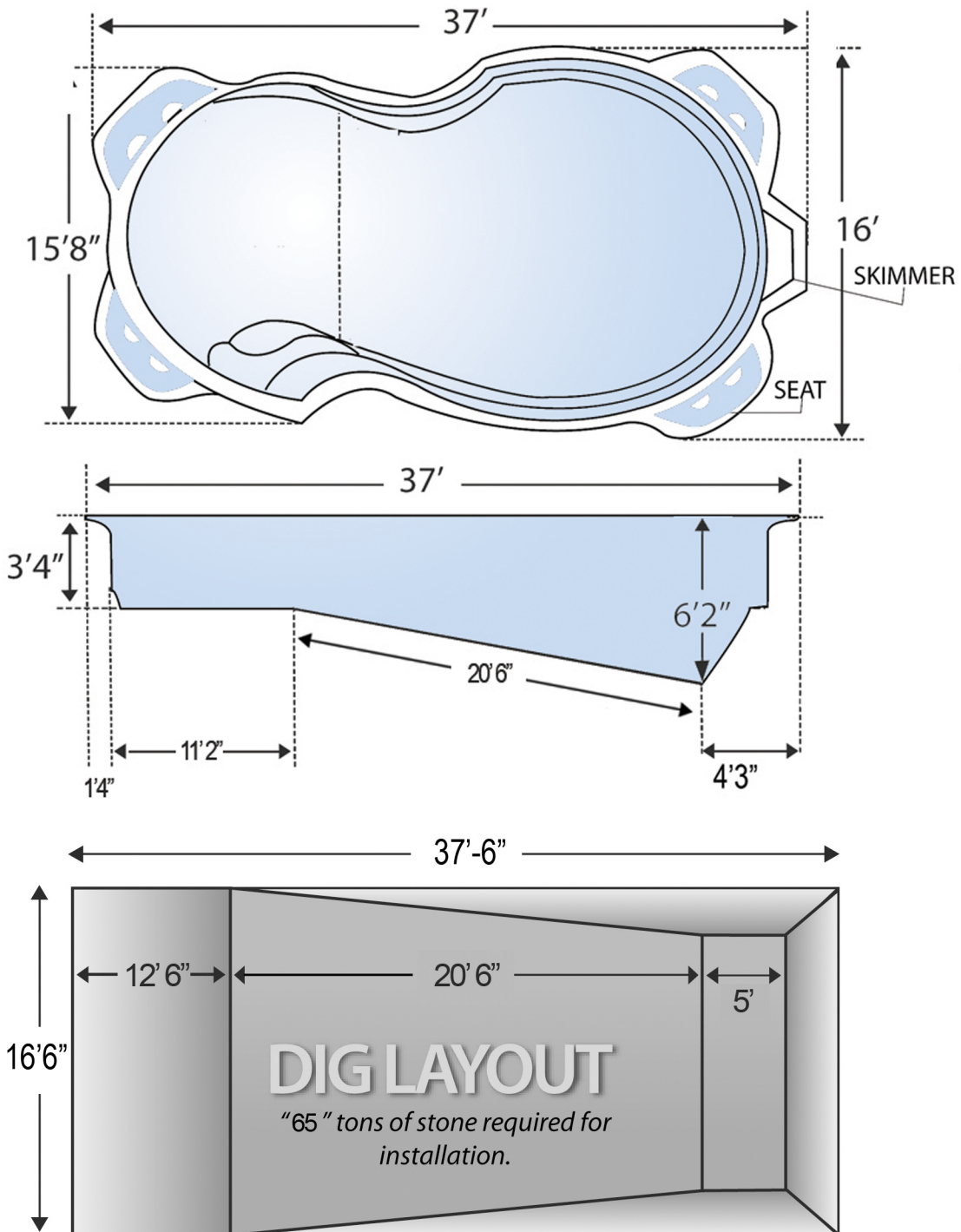




LONESTAR FIBERGLASS POOLS, LLC  
 15655 EAST US HWY 90  
 KINGSBURY, TX 78638  
 1-866-471-6900  
 FAX: 830-875-6902  
 LONESTARFIBERGLASSPOOLS.COM

## Dig Diagram The Charleston



It is important to have your excavator call to review the Dig Diagram prior to excavation. All dimensions are approximate. A 3" over dig must be added to the bottom for stone, along with a 2' by 3' trench from the pool hole to the area of equipment placement for plumbing and wiring.