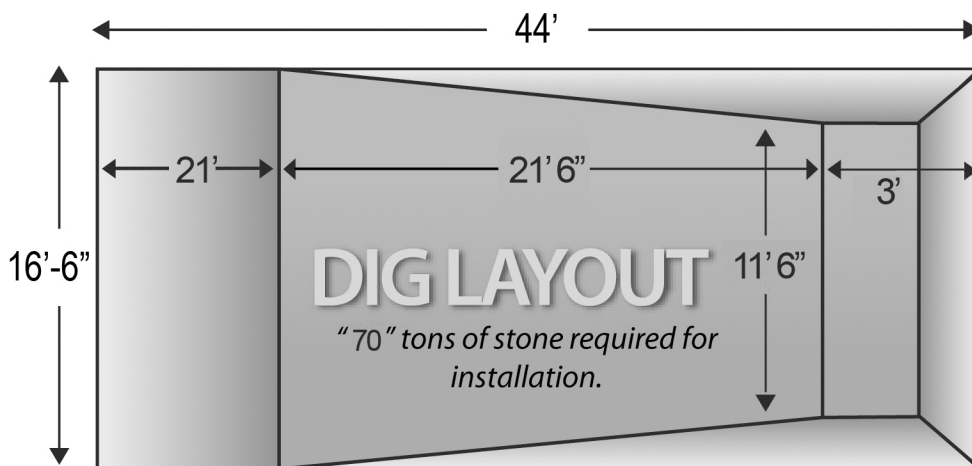
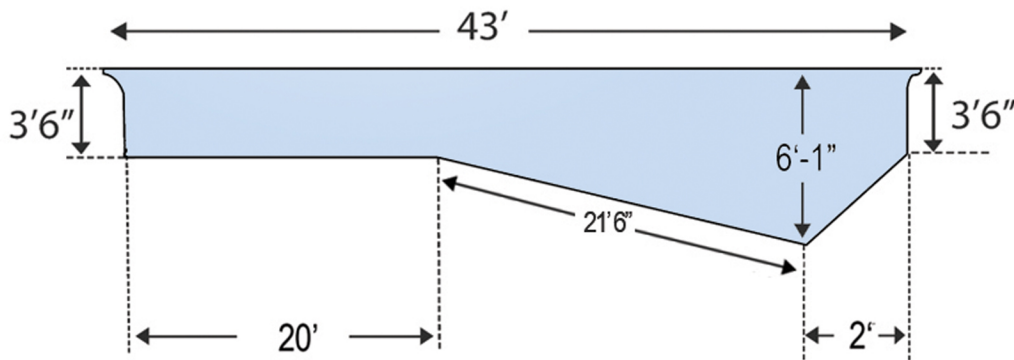
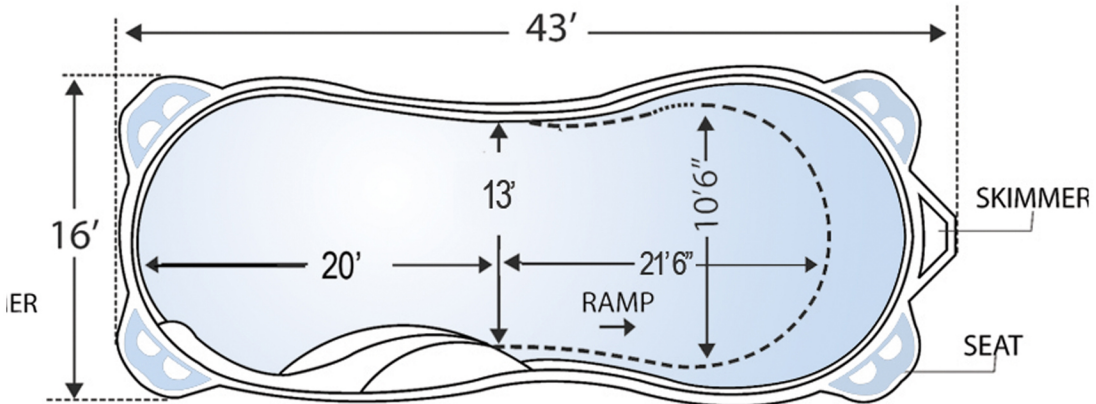




LONESTAR FIBERGLASS POOLS, LLC
 15655 EAST US HWY 90
 KINGSBURY, TX 78638
 1-866-471-6900
 FAX: 830-875-6902
 LONESTARFIBERGLASSPOOLS.COM

Dig Diagram The Charlotte



It is important to have your excavator call to review the Dig Diagram prior to excavation. All dimensions are approximate. A 3" over dig must be added to the bottom for stone, along with a 2' by 3' trench from the pool hole to the area of equipment placement for plumbing and wiring.